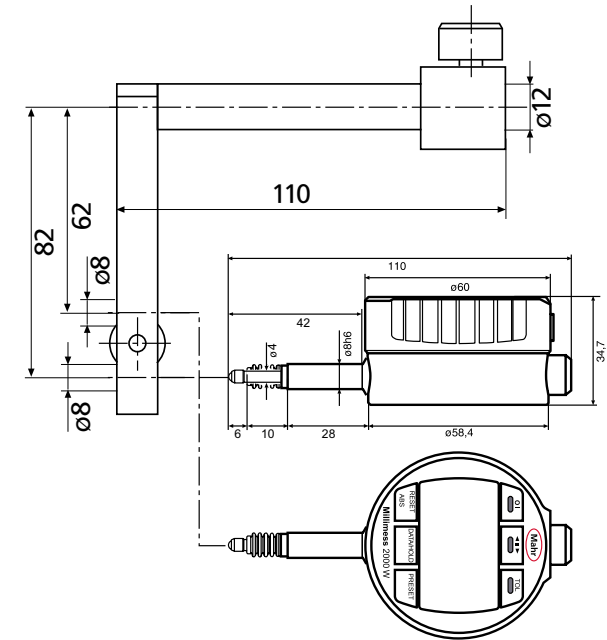


Accessories for **perpendicularity measurements**

Automatically measure and document the perpendicularity and straightness of workpieces: This is very easy to achieve with the digital comparator from Mahr that can be connected to the Digimar 817 CLT.



817 h3

| Order no. | Description | Type | Holder | Suitable for |
|-----------|---|--------|--------|---------------------------------|
| 4429206 | Holder for perpendicularity measurement | 817 h3 | ø 8 mm | Comparators and dial indicators |
| 4429610 | Data connection cable | DK-M1 | – | 2000 W / 2001 W |
| 4346700 | Digital comparator 0.00001 mm / ± 2 mm | 2000 W | ø 8 mm | – |
| 4346800 | Digital comparator 0.00001 mm / ± 2 mm | 2001 W | ø 8 mm | – |